

iNSIDE®



Distributed by:
the
belgian
shade
company

www.belgianshade.com

(203) 299-3150
info@belgianshade.com

This stylish catalogue will help you to visualize interior home decoration as you never thought possible.

INSIDE gives your home a unique accent through a pure Belgian product made of the highest quality and with innovative design.

If you are looking for curtains or shades that exceed your expectations for strong design with a high degree of personality, put your trust in INSIDE®.

iNSIDE®



Products

Belgian shades® 6

Large sizes 12

Sloped shades 16

Panel tracks 18

Draperies 20



Fabric collections

Essential Pure/the making of 25

Essential 26

Essential Pure 26

Midnight Sun 27

Alaska 27

Why choose INSIDE®?

100% Belgian design 28

Shade styles 29

Accessories 30

Automated shades 30

Headrail options 31

10 INSIDE® advantages 32



INSIDE®

> Timeless design

Our window coverings combine classic design, modern elegance and flawless operation to ensure longevity in your home. Our shades are meticulously detailed rather than overly embellished.

> Large sizes

INSIDE® shades can be made in sizes up to 165" x 232" as either manual or motorized. Additionally, all fabrics in our collection are woven at 110" wide or wider.

> Environmentally friendly

Most of our fabrics are machine washable (cold water wash) which adds to their product longevity. Our line of "Essential" and "Essential Pure" fabrics are Oeko-Tex® 100 certified, stain resistant and machine washable.

> Highest quality

Our state-of-the-art sewing facility in Belgium produces the highest quality window coverings available on the market.

> Innovation

With more than 15 years as pioneers in our industry, you can count on INSIDE's innovative spirit. We actively seek new ways to ensure a technically superior product.







> A combination of a room darkening and a translucent shade provides double enjoyment. During the day, you control how much light comes in with a translucent look. At night, the darker shade provides atmosphere and guarantees your privacy.



Fabric: Casual 11 - Collection: Essential Pure - rear batten- black-out lining
Fabric: 2200/00 - Collection: Midnight Sun - rear batten

Belgian shades®

Belgian shades® are meticulously detailed rather than overly embellished. This results in a technically superior product - less problematic upon installation and better performance over time. They can be easily removed for cleaning. Their transitional styling makes them an appropriate choice for formal or more relaxed interiors.



DAN HEB JF
DEL ...

9

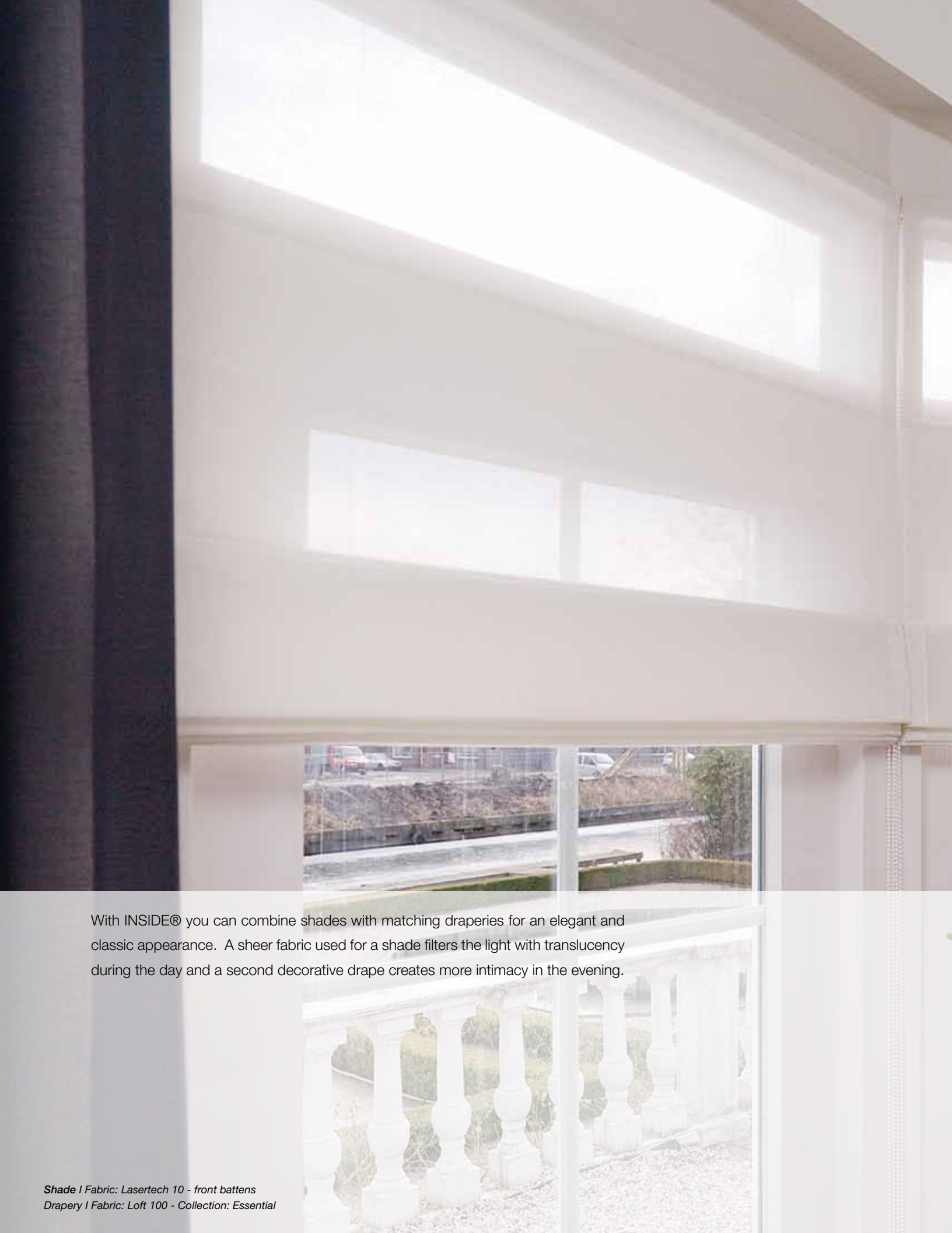
///

MAKES YOU STRONGER
It's the journey!
Not the destination

Things!

reaming
don't stop





With INSIDE® you can combine shades with matching draperies for an elegant and classic appearance. A sheer fabric used for a shade filters the light with translucency during the day and a second decorative drape creates more intimacy in the evening.



> *INSIDE* sets itself apart from other brands by the detailed finishing and constant innovation. A spring-loaded patented batten in each batten sleeve creates a constant level of tension that guarantees the perfect look for your shade.



Fabric: Canvas 100 - Collection: Essential Pure - front battens



Fabric: Loft 120 - Collection: Essential - front battens

> INSIDE shades will enhance the architectural beauty of your home. The sleek and polished look perfectly highlights beautiful moldings and woodwork.





Fabric: 2200-50 - Collection: Midnight Sun - rear battens

Large Sizes

INSIDE® shades can be made in sizes to fit almost any window. With a maximum size of 165" x 232" the possibilities are nearly endless.





INSIDE® shades are the natural choice for large windows. We can make high-quality shades in extremely large sizes. The basic range is available up to 165” wide and 232” high.

> *Just like all INSIDE shades, you can operate this version manually or with a motor.*



Sloped shades

Thanks to the advanced technology of the INSIDE® operating system, shades work beautifully with sloped windows. The shade can be pulled up to the lowest point of the angled side. Battens can be matched on the shades to create a clean and even look.



Panel tracks

The stylish simplicity of panel tracks provides virtually unlimited possibilities. By combining several tracks and panels, you can go as wide as you desire.

Panel tracks or Japanese panels are usually used for large windows or sliding glass doors. These INSIDE window coverings create a unique, contemporary interior.

> *Are you looking for uncompromised interior design? If so, use battens on panels to achieve a more contemporary and stylish look.*



*Panel tracks | Fabric: Lasertech 10 - Collection: Essential
Panels with battens - 5 tracks*

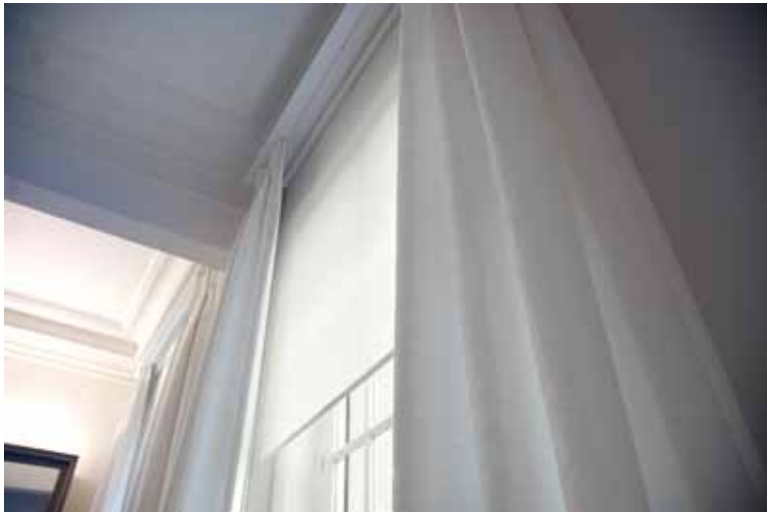
Vouwgordijnen zorgen zowel in traditionele als in moderne interieurs voor een moderne, warme look. U kan die laten afwerken met overgordijnen en sierpanden of zelfs twee vouwgordijnen combineren. De ene in transparante stof laat overdag het licht binnen en de ander in gesloten stof zorgt 's avonds voor een intieme sfeer.



*Panel track | Fabric: 2200/00 - Collection: Midnight Sun
Panels without battens - 5 tracks*

Draperies

Draperies are available in all INSIDE Fabrics. You can select single, double, triple or English pleat draperies. We also offer grommet draperies as well as ripplefolds. For lined draperies we use our proprietary button hole feature which eliminates puckering between the lining and face fabric.









Collections

INSIDE® is always closely involved in the design and production of our high-quality fabrics. Along with the most creative textile designers, we are always looking for even better quality fabrics for the most refined window coverings.

The different INSIDE® collections offer you an extensive choice of high-quality fabrics, patterns, and colors. From timeless classics to modern contemporary patterns, the INSIDE® fabrics fit every interior. You can choose from a vast array of different textures, colors, sheers, blackouts, and revolutionary patterns.



Essential Pure the making of

Inspiration

For the newest INSIDE fabric collection, the designers took their inspiration primarily from the different textures and structures in nature.



Testing

The colors chosen were then woven into the different structure designs.

From thousands of designs, only those that met our standards for quality and design were chosen.



R&D

The designers went looking for character-rich patterns and matching weaves to create the structure that defines Essential Pure.



Production

After an extensive series of tests, the selected fabrics were woven, treated with a special protective layer, and inspected to assure the highest quality.

ESSENTIAL



Stylish
Natural
Timeless
Austere

Essential is a collection of 5 fabrics in 9 popular colors that range from off-white to beige and brown to anthracite and black. The polyester fabrics are washable, shrink-free, and Oeko-Tex® 100 certified. This fabric line is designed for modern and traditional decors and creates unity and class in your home.



ESSENTIAL PURE



Texture
Pleasant
Dynamic
Design

Essential Pure is a textured fabric that brings a unique character to your interior space. The polyester fabrics are washable, shrink-free, and Oeko-Tex® 100 certified. The different fabrics were created and designed exclusively for INSIDE and were inspired by elements in nature. This fabric brings the peace and harmony from the outdoors into your home.

MIDNIGHT SUN



Transparent
Elegant
Light
Linen appearance

The Midnight Sun collection is comprised of many types of fabrics, ranging from transparent to room-darkening. The extensive range of fabric is washable and made of 100% Polyester. You can choose from different colors and looks, including some that replicate the delicate and sophisticated quality of linen.



ALASKA



Lively
Velvet soft
Comfortable
Contemporary

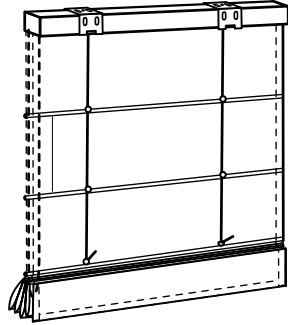
In the Alaska collection, the fabrics were designed to have a warm and soft appearance. This heavier fabric is ideal for all window coverings thanks to its lovely, supple drape. With an Alaska fabric, you create a very pleasant and intimate feel in your interior.

100% Belgian design

INSIDE, just like Belgian chocolates, is pure Belgian. Every window covering is designed entirely in our own design studios and made with the best Belgian fabrics. With production being centralized in Belgium, we can check even the smallest details and provide the highest degree of craftsmanship that our customers deserve. Along with our designers and technical specialists, INSIDE ensures the highest quality.

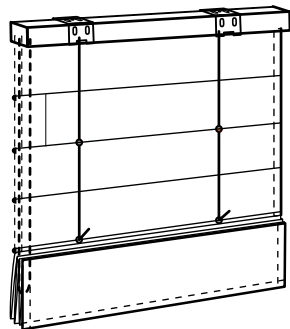


Shade styles



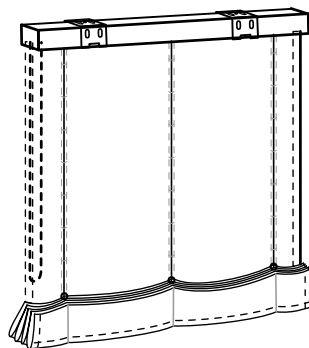
Rear Battens:

The shade is pulled up at each batten.
The stack height is minimal. See the technical file for the actual stacking height.



Front Battens:

The shade is pulled up every other batten.
The stack is longer than with battens on the back. See the technical file for the actual stacking height.



No battens:

The shade is pulled up every 6".
The stack height is minimal. See the technical file for the actual stacking height.

Accessories



extension bracket



installation on window without drilling



tension device



metal brass

metal nickel

clear

white

gray

black

RollEase®

Automated window coverings

For a more sophisticated option, INSIDE has shades with automated systems. Choose between a single shade remote control or a remote control that can operate up to 4 shades independently or all together.

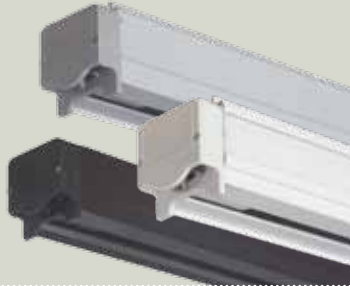
The INSIDE® battery system allows you to have automated shades in locations where electrical power is not readily available. With the remote control, you operate all of your window coverings quickly and easily. The battery is easy to replace and is hidden inside a headrail that is available in white, gray or brown.



Headrail Options

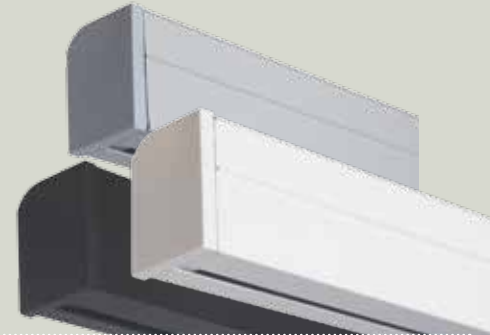
X profiles

used for angled shades
available in white - gray - brown



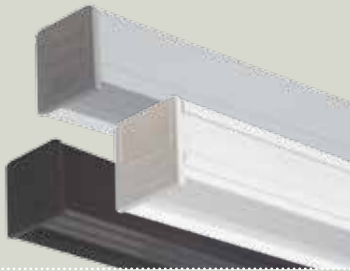
Battery profiles

available in white - gray - brown



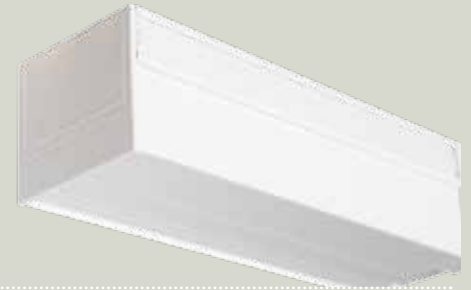
Finesse profiles

available in white - gray - brown



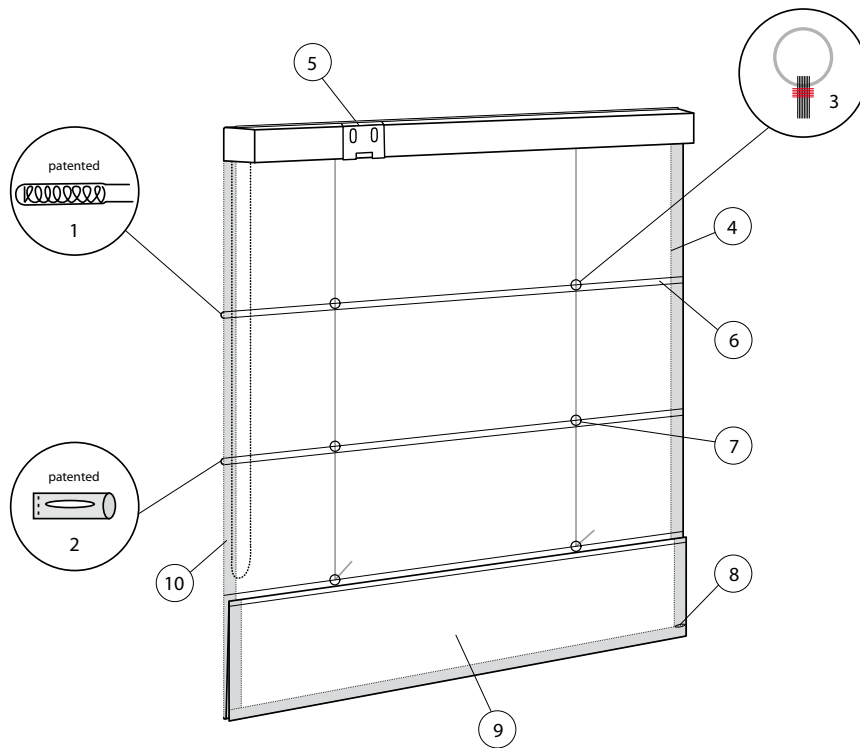
Maxi profiles

Available in white



Our customer service people will help you select the headrail that is right for your application.

10 INSIDE[®] advantages



1. A self-regulating, patented sleeve consisting of a spring and a rod keeps the fabric tight for optimal results.
2. A patented, ultrasonic buttonhole that does not fray ensures that the battens can be removed easily for cleaning.
3. Reinforced rings add durability to the shade. Additional reinforcement on the rings ensures that the rings do not come loose.
4. Blind-stitched side hems ensure that no stitching will be visible at the front and will prevent seams from puckering.
5. Universal wall and ceiling brackets make installing an INSIDE window covering extremely simple. Mounting shades to the brackets is easy and does not require tools as the headrail snaps right in to the bracket.
6. Battens are made of fiberglass. Unlike aluminium versions, fiberglass stays straight and retains its shape.
7. Transparent rings are UV-resistant and made of high-quality, color-fast polycarbonate. They are also the smallest available on the market making them nearly invisible.
8. For cleaning, all parts can be removed easily without having to undo any stitching. An opening above the bottom hem provides easy access for removal of the hem bar without use of tools.
9. Special sunprotective flap prevents the shade fabric from discoloring when being raised.
10. Seams of the shade are 1.2" everywhere to create an even finish.

your dealer

<p>Distributed by: the belgian shade company</p> <p>www.belgianshade.com (203) 299-3150 info@belgianshade.com</p>



iNSIDE®